

Encoder

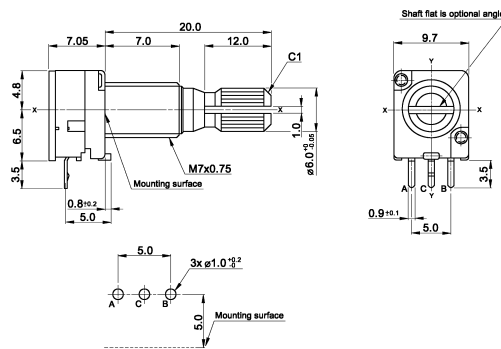


Specifications:

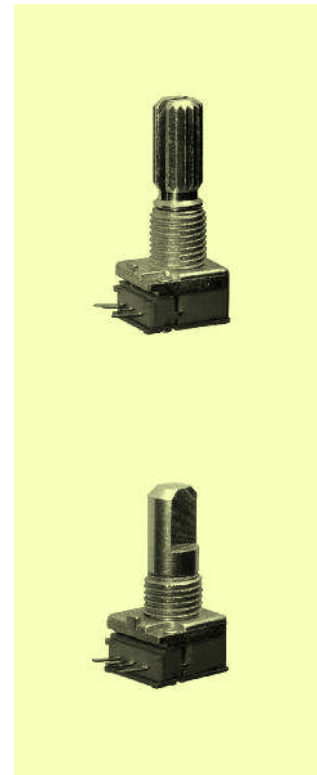
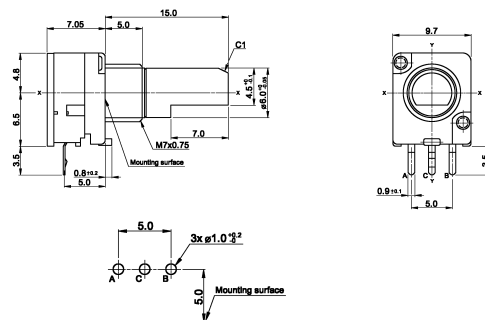
Contact rating:	5 V DC, 1 mA
Insulation resistance:	> 100 MΩ
Dielectric strength:	300 V, 50 Hz for the duration of 1 minute
Operating temperature:	-40 °C to +85 °C
Rotational/Detent torque:	0.5/1.0 Ncm
Pulses/Detents per turn:	15/30
Mechanical life:	> 15 000 cycles
Pushbutton (optional):	actuation force 5 N, travel 0.5 mm, life > 10 000 operations
Contacts:	silver-plated
Terminals:	silver-plated
Mounting:	on pc-board single hole mounting M 7 x 0.75
Soldering conditions:	wave-soldering – max.: 5 sec, 260 °C

Models:

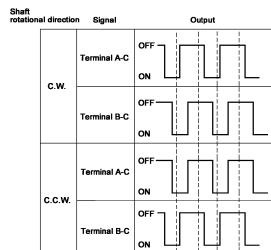
MER9-15220BM7R



MER9-15115AM7R



Output signal format:

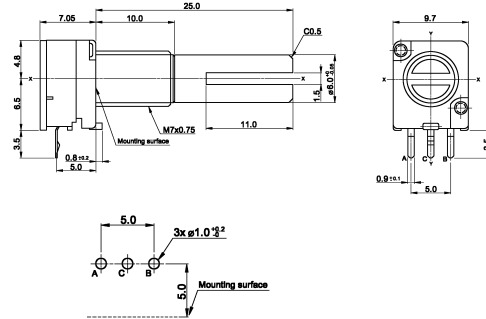




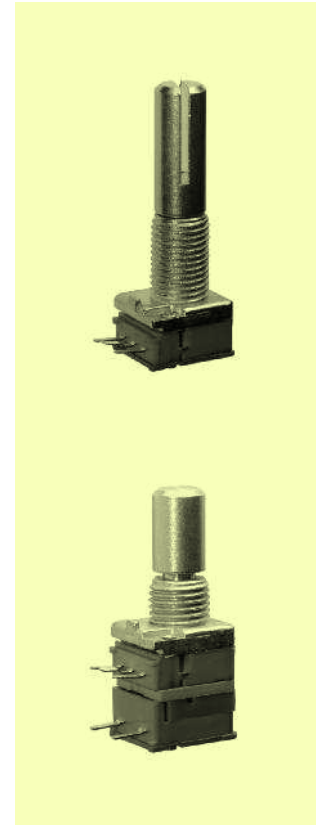
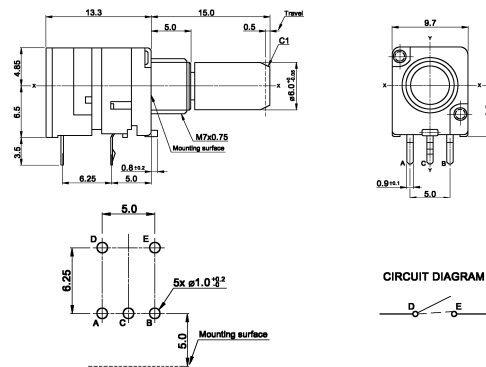
Encoder

Models:

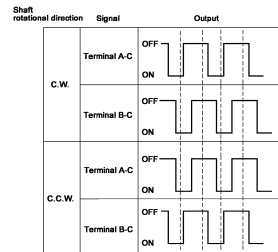
MER9-15325CM7R



MERP9-15415AM7R



Output signal format:



Ordering code 9 mm Encoder:

MER 9 -

Switch function:
 no switch
 switch

Shaft type:
 1 flat shaft
 2 knurled shaft
 3 cut shaft
 4 round shaft

Bushing:
 A 5 mm
 B 7 mm
 C 10 mm

Orientation:
 R horizontal

Number of pulses:
 12 12 pulses
 15 15 pulses

Shaft length:
 15 15 mm
 20 20 mm
 25 25 mm

Bushing thread:
 M7 M7
 no thread